

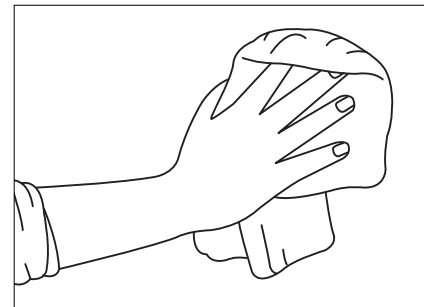


Complete installation guide for LOGISTICK Logipad™ the one-way solution for securing light to medium-weight loads

For best results, please read through all instructions prior to installation.

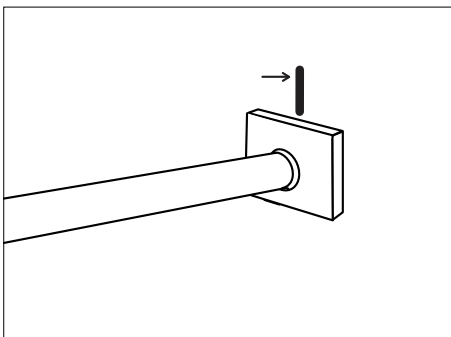
1 Prepare the Surface.

After loading the cargo, determine the best location for installation. This area should be in a position that the Logipad set is equal distance from the floor, at a height that allows the beam to be in contact with the freight and allows it to stop the load from starting to move. The entire application area must be clean and dry to ensure proper installation. Using a dry cloth, wipe off all loose dirt and dust from the application area.



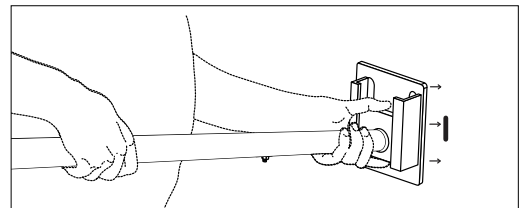
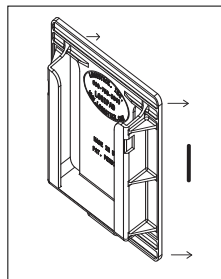
2 Determine placement Position.

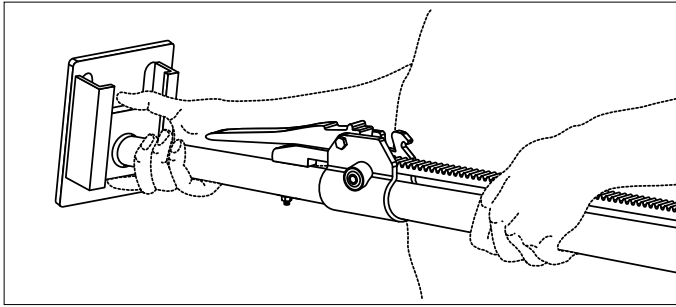
Position loadlock against the freight and press the pad at the desired placement position and height then mark center position of loadlock pad on the wall.



3 Apply first Logipad.

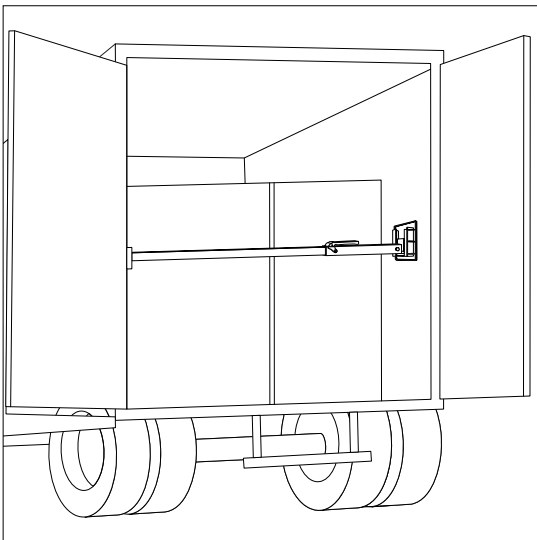
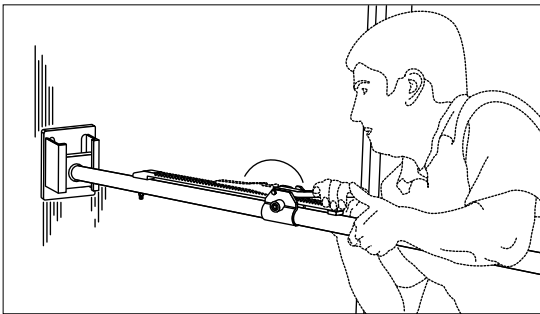
Remove the tape backing and place the Logipad on the wall with the Logipad centered over the mark made in Step 2. Press firmly to apply the Logipad securely to the wall. Insert stationary end pad of loadlock into adhered Logipad. You may use any steel loadlock.



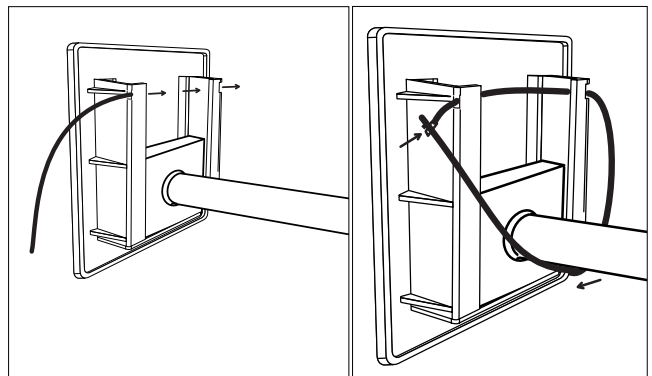


- 4** Apply second Logipad.
Place the second Logipad on the telescoping or ratcheting end of loadlock and remove adhesive backing from the Logipad. Slide telescoping end of loadlock while maintaining contact with the freight until Logipad makes contact with wall in position on the opposite wall from the first Logipad. Make sure that the loadlock is level. Press firmly on Logipad to adhere securely.

- 5** Complete Application.
Ratchet loadlock to apply maximum outward pressure to Logipad and trailer walls. Make sure ratchet is locked or secured to ensure that wall pressure is maintained.



- 6** Optional Tamper Evident Slot.
To use a tamper evident security seal, make sure it is sufficient in length to pass through both slots. Pass seal through both slots and continue the seal underneath the loadlock completing the circle to meet the opposite end. Fasten or secure tamper evident seal.



Instructions for Removing the Logipad™

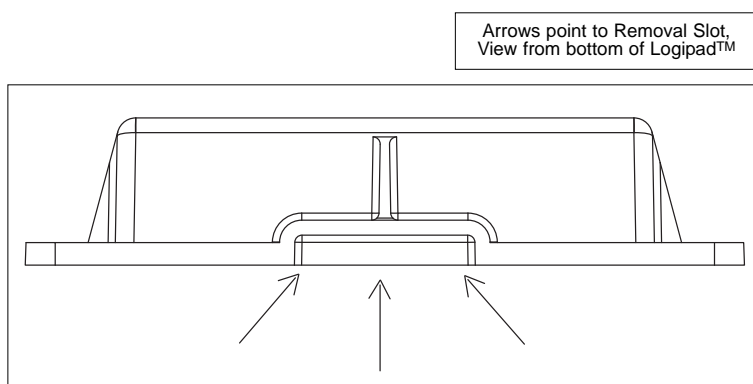
I M P O R T A N T

Attach copy of these instructions to loadlock to assure safe,
easy removal by consignee.



Removal Process.

If tamper evident seal was used, remove the security device first. Release pressure from loadlock and slide the loadlock out of the Logipad slots. Place crowbar in the removal slot located on the bottom of the Logipad (as seen in diagram to the right) and pry upward and away from the wall until the Logipad is removed. We recommend using a citrus based adhesive remover to clean the excess adhesive.



Innovators of Freight Securement Systems™

www.logistick.com

19880 State Line Road • South Bend, IN 46637
1.800.758.5840 • 574.271.2565 • FAX 574.271.2574

WARNING: This product is not to be used in connection with the transportation of any "hazardous materials" as defined at 49 CFR § 171.8.

Logistick®, Inc. is a registered trademark. The Logipad is a trademark of Logistick®, Inc.

LOGISTICK®, INC. warrants its product to be free from any defects in material and workmanship. LOGISTICK'S obligation is limited to furnishing, on an exchange basis, replacement parts which may have been found defective upon LOGISTICK inspection. LOGISTICK assumes no shipping responsibility for replacement parts. EXCEPT AS SPECIFICALLY PROVIDED HEREIN, THERE ARE NO OTHER WARRANTIES, EXPRESSED OR IMPLIED, INCLUDING, BUT NOT LIMITED TO, ANY IMPLIED WARRANTY OF MERCHANTABILITY OR FITNESS FOR A PARTICULAR PURPOSE. In addition, under no circumstance will LOGISTICK, INC. be held liable for any damages or claims, including the losses of profit or business interruption, all of which are hereby expressly waived by the purchaser.

Revised August 2007